



Adjustable Beam Degree



IC & Damp Location Rated | Dimmable | 3 Year Warranty

| Product Code | Voltage | Wattage | Color Temperature | # of LEDs | Beam Degree | Lumens |
|----------------|---------|---------|-------------------------------------|-----------|---------------------------|--------|
| ALED-HV01-SQ-F | 120V AC | 8W | WW 2700K / 3000K / 4000K / CW 5000K | 1 COB LED | Adjustable from 20 to 40° | 775 |

Features

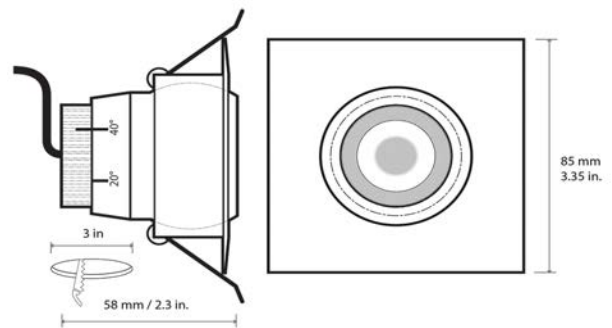
- › Super bright sleek downlight
- › Beam angle adjustable 20 - 40°
- › Simple installation
- › Low clearance applications
- › Hardwire junction box
- › Aluminum housing
- › Patent pending
- › Dimmable
- › Includes light engine and dimmable driver

Finishes



Dimensions

Hole cutout size: 2^{3/4}" (70mm)



Applications Downlighting / Soffit / Low clearance / Architectural

Ordering Codes

| Product Code | Trim Color |
|----------------------|---------------------|
| ALED-HV01-SQ-F-BN-XX | Brushed Nickel (BN) |
| ALED-HV01-SQ-F-BK-XX | Black (BK) |
| ALED-HV01-SQ-F-WT-XX | White (WT) |