



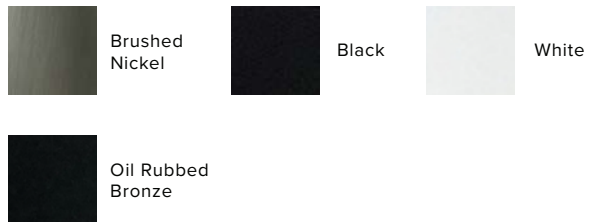
Wet Location Rated | 3 Year Warranty

| Product Code | Voltage | Wattage | Color Temperature | # of LEDs | Beam Degree | Lumens |
|--------------|---------------------|----------|--|-----------|-------------------|--------|
| ALED-RD16-1W | 12V/24V DC or AC/DC | 1W or 3W | WW 2700K / 3000K / 4000K / CW 6000K / (RGB - 4 wire) | 1 LED | 120° frosted lens | 100 |
| ALED-RD17-3W | 12V/24V DC or AC/DC | 1W or 3W | WW 2700K / 3000K / 4000K / CW 6000K / (RGB - 4 wire) | 1 LED | 120° frosted lens | 290 |

Features

- › Uplighting for concrete, wood & stone
- › Low power consumption
- › High brightness LED technology
- › Includes stainless steel trims and inground PC housing
- › +50,000 hour lifespan

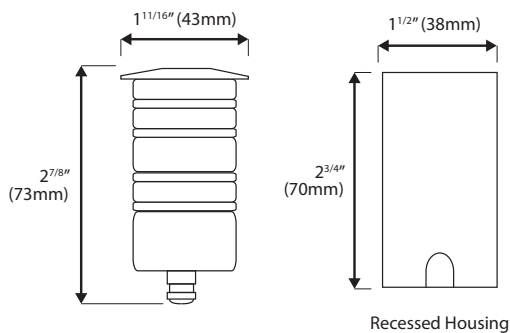
Finishes



Applications Concrete / Deck / Infloor / Landscape

Dimensions

RD16-1W



RD17-3W

